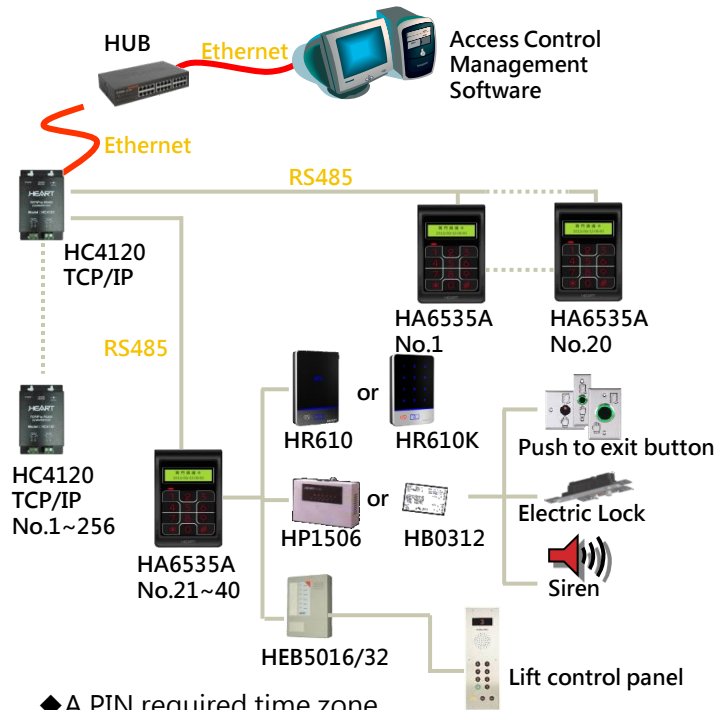


HA6535A PC-based RFID Access & Lift Controller with An Integrated Reader



- ✓ Touch Sensitive keypad
- ✓ IP55 Waterproof

System Configuration



Features

- ◆ Four access mode selectable
 1. Card Only
 2. Card + PIN
 3. Key-in Card Number only
 4. Key-in Card number + PIN
- ◆ Optional reader formats: EM, HID, MIFARE, TI
- ◆ Function of the main reader and external reader interchangeable
- ◆ Connectable with external reader or external PIN reader
- ◆ Read Range up to 7 cm (EM card) / 5 cm (Mifare card)
- ◆ 10,000 cardholders
- ◆ 7,200 transactions
- ◆ Weekly access schedule: Each day of the week can be set with different access schedules.
- ◆ Access schedule: 8 access schedules available per day; Multi-choice from 1 to 8 access schedules available for each cardholder.
- ◆ A PIN required time zone
- ◆ Tampered alarm
- ◆ Forced entry alarm
- ◆ Door left open alarm
- ◆ Guard patrol alarm
- ◆ Two types of anti-pass back function (additional external reader required)
- ◆ 120 recurring holidays, 120 non-recurring holidays
- ◆ A warning message displays when the memory buffer is occupied over 90%
- ◆ Two modes of transaction storage selectable: Scroll or Stop when full
- ◆ Transactions can be viewed on the LCD.
- ◆ Large 2-line LCD of 16 characters with back light feature including power saver functions: the backlight will turn off if inactive for more than 3 minutes.